

Installation Instructions

安裝說明書

FR. RC ADJUSTING SPACER

三角架和尚頭墊高座 - 40MM

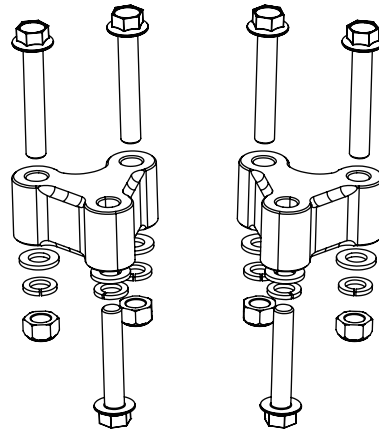
#Q0086

Application 適用車型

Toyota Alphard/Vellfire (GGH30) '15-present

Components 內含配件

① Adjusting spacer 轉接座	2PCS
② Flange bolt 凸緣螺絲 (12x1.25x75)	4PCS
③ Flange bolt 凸緣螺絲 (12x1.25x65)	2PCS
④ Nut 螺帽 (12x1.25-19x12)	4PCS
⑤ Washer 華司 (24x13x2.6)	6PCS
⑥ Spring washer 彈簧華司 (20.5x12.6x2.6)	6PCS

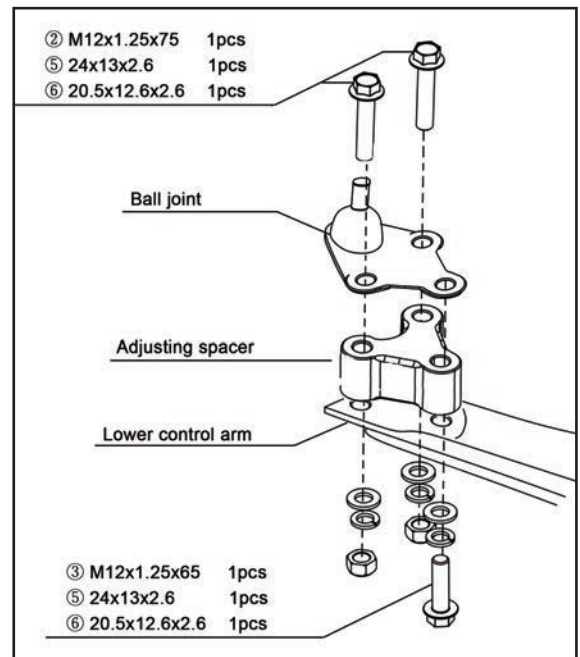


Caution 注意事項

- Installation is recommended to be performed by licensed mechanics with necessary tools to ensure proper installation and safety, or damage to the product or vehicle may occur.
- Note the routing and position of wires and cables before installation. Please refer to factory manual.
- Tighten bolts and nuts firmly using handtools, or with specified torque if mentioned.
- 安裝需由合格的專業技師及工具執行以確保安裝正確及安全，否則可能對產品或車輛造成傷害。
- 安裝前請記下線路安裝路徑及位置，或請參考原廠手冊。
- 請使用手動工具確實鎖緊螺帽及螺絲，或依照說明中標註的扭力上鎖。

Instructions 安裝說明

1. Remove the factory ball joint from the steering knuckles and lower control arms.
將和尚頭卸下羊角/轉向節及下三角架。
2. Assemble ① Adjusting spacers to ball joints and lower control arms.
將配件 ① 轉接座 組上原廠和尚頭總成及下三角架。
3. Install supplied bolts, nuts, washers and spring washers to secure the spacers, ball joints and lower control arms.
(See figure 1)
使用配件中的螺絲、螺帽、華司以及彈簧華司將轉接座及和尚頭固定於下三角架。(請參考圖表一)
4. Illustration of installed state
完成示意圖



※ Please have the vehicle professionally aligned after installation.
安裝完成後請接受電腦四輪定位校正。